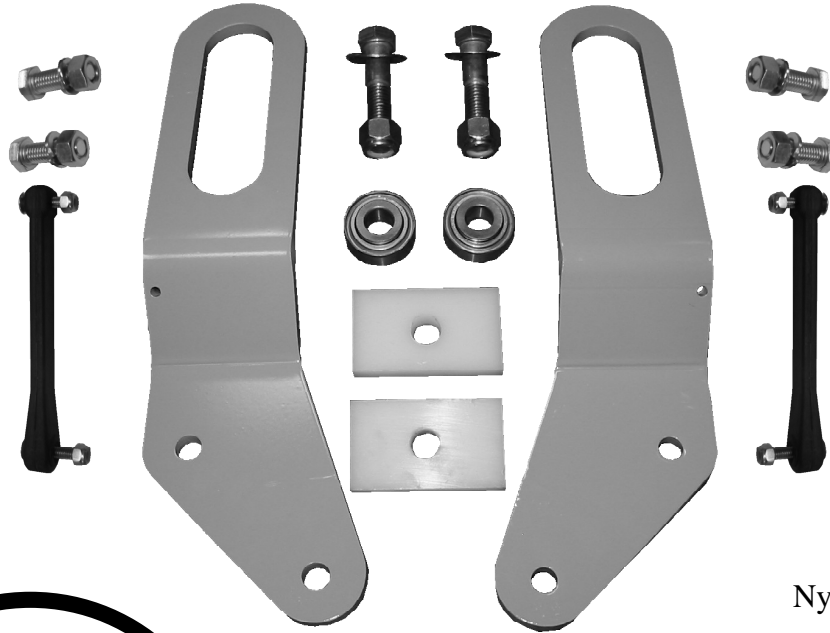


# NEW!



## Super-Shield Mount Conversion Kit Part #SS-018



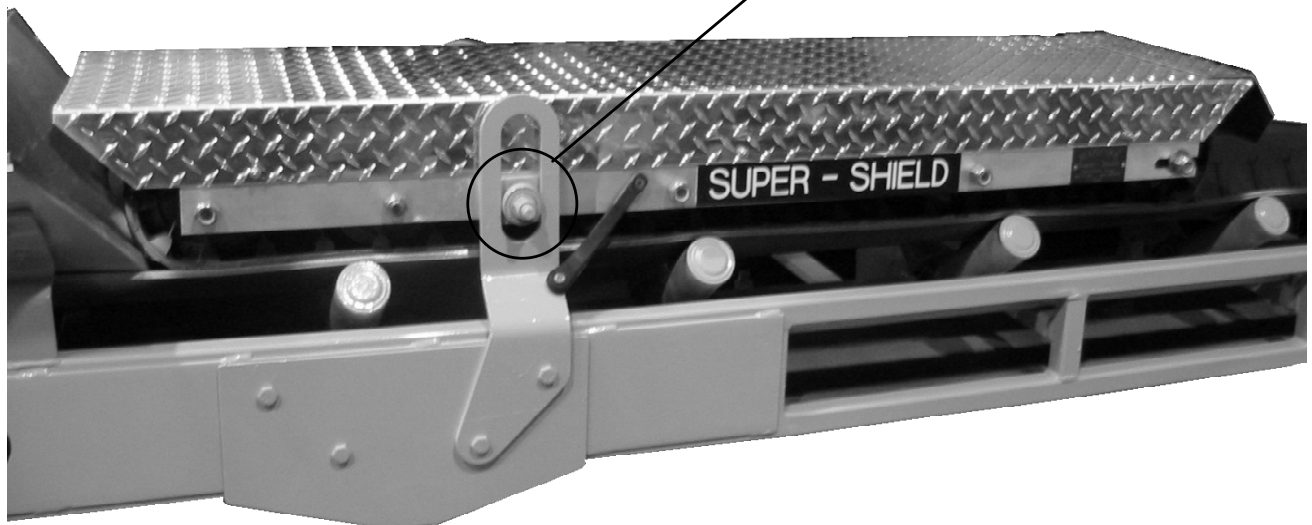
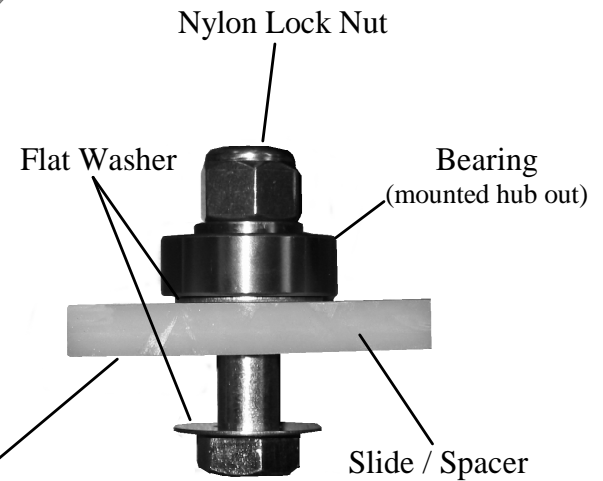
### Kit Contains:

- 2 pcs #SS-007
- 2 pcs #SS-015
- 2 pcs #SS-016
- 1 set #SS-017
- 4 pcs 1/2-13 x 1-1/2  
Bolts, Lockwashers & Nuts



Super-Shield mount  
conversion kit replaces:

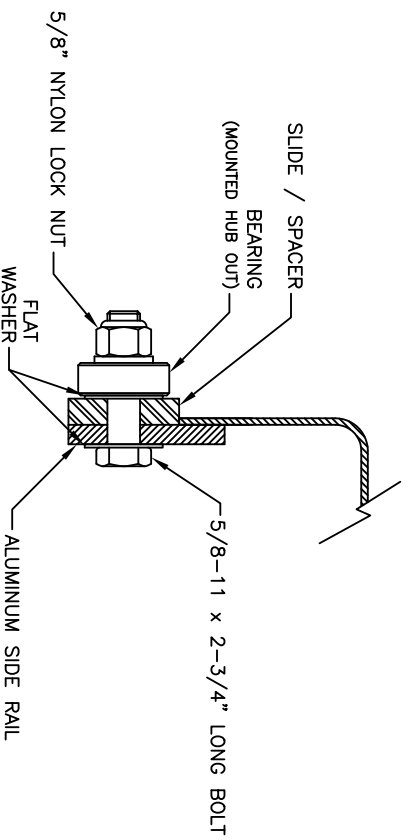
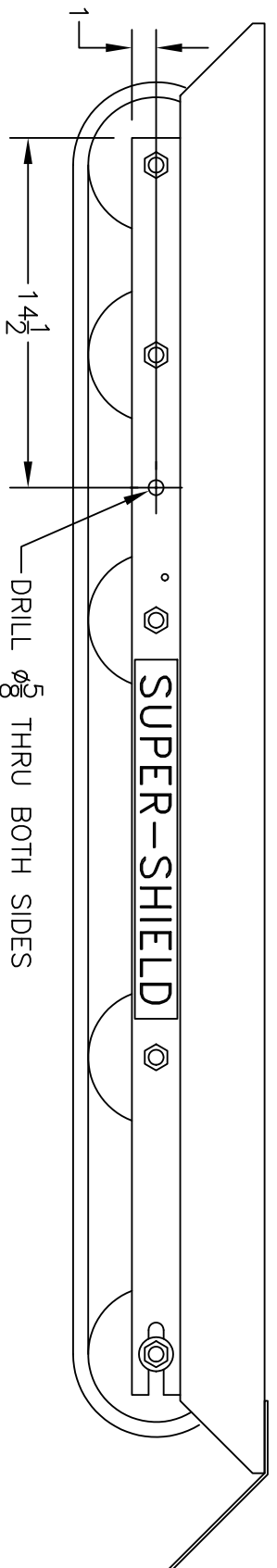
- Mount Saddle #SS-005
- Swivel Joint #SS-004
- Wear Plate #SS-010
- Stopper Block #SS-011



## HOLES REQUIRED FOR NEW MOUNT BRACKETS

PLEASE BE CAREFUL WHEN MEASURING THE 14 1/2" DIMENSION ON BOTH SIDES  
IF THE HOLE LOCATION IS INACCURATE THE SUPER-SHIELD WILL NOT TRAVEL  
STRAIGHT AND WILL INCREASE BELT WEAR.

THE RUBBER STRAPS STILL USE THE SAME MOUNT HOLES ON THE SUPER-SHIELD  
BUT NOW BOLT INTO THE NEW MOUNT BRACKETS USING THE HOLES PROVIDED.



ALL DIMENSIONS IN INCHES

REV	DESCRIPTION	DATE	BY	DRAWING TITLE	SCALE	DATE	DATE	DATE	
				<b>W.K. DAHMS MFG. LTD.</b> SUPER-SHIELD CONVERSION	NTS				

ONE PLACE TWO PLACES THREE PLACES [X] [XX] [XXX]	UNSPECIFIED TOLERANCES ANGULAR $\epsilon 1^\circ$	DRAWN BY <i>Todd</i> CHECKED BY <i>Greg</i> APPROVED BY <i>Scott</i>	DATE SEPT/03 SEPT/03 SEPT/03	DRAWING NO. SS-018	SHEET 4
-----------------------------------------------------------	------------------------------------------------------	-------------------------------------------------------------------------------------	---------------------------------------	-----------------------	------------